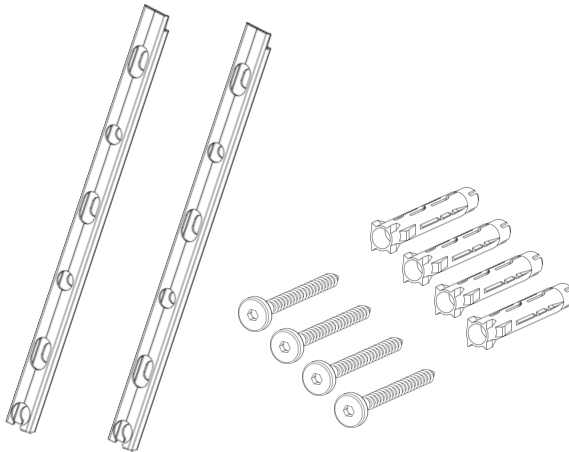


The Box

Mounting kit



Installation and operating instructions

English

Read carefully
before use and
installation.

THANK YOU

Thank you for choosing the sustainable wall greening from Urban Greenery. Below we will show you how to hang your box with our mounting kit. Please read these instructions carefully!

TABLE OF CONTENTS

General safety instructions	2
Technical data	3
Scope of delivery	4
Installation	5
Installation - One module	6
Installation - Modules next to each other	7
Installation - Modules one below the other	7
Spare parts and repair	8
Disposal and recycling instructions	9

PRODUCT DESCRIPTION

“The Box” is a module for indoor wall greening and can be extended vertically and horizontally with other modules.

GENERAL SAFETY INSTRUCTIONS

Only use the product in the manner described for the purpose described (intended use). Improper use and misuse can lead to property damage and personal injury.

Please do not use the product if it is damaged. Contact our service department if you have received damaged goods. Using a damaged product can lead to property damage.

Only suitable for indoor use and covered and weather-protected outdoor areas. Only use components and spare parts for the product that are intended for this purpose by the manufacturer. Unsuitable components can lead to leaks and material damage.

Before installation, please check the maximum permissible load of the walls and check them for curvatures or inclinations. Only use the wall plugs, screws and mounting rails supplied by the manufacturer. Improper installation can lead to personal injury and damage to property.

Do not install the product in the immediate vicinity of an open fire (e.g. fireplace), hot surfaces or other heat sources (e.g. heating) and avoid direct contact. Failure to observe this instruction may result in a fire hazard with personal injury and damage to property.

Do not install the product directly above or next to electrical appliances or sockets. Failure to observe this instruction may result in personal injury and damage to property.

The product is not a toy. The product contains small parts, there is a choking hazard if swallowed.

TECHNICAL DATA

Bezeichnung	Mounting Set
Modell	1.0
Gewicht	ca. 1500 g

This information is subject to change without notice.

SCOPE OF DELIVERY



A

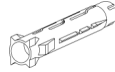
or



A



B



C

Code number	Name	Quantity
A	Rail 1	2x
A	Rail 2	2x*
B	Screw (Torx/5,5 x 60)	4x
C	Dowel (Fischer UX8)	4x

INSTALLATION

The installation of our box is simple. If you want to connect several modules together, please note that you need the mounting set, which is available in two different types.

In general: Rail 1 is used for the upper modules (individual boxes) and rail 2 for all modules below (connection boxes).

Please read our instructions carefully and follow all instructions.

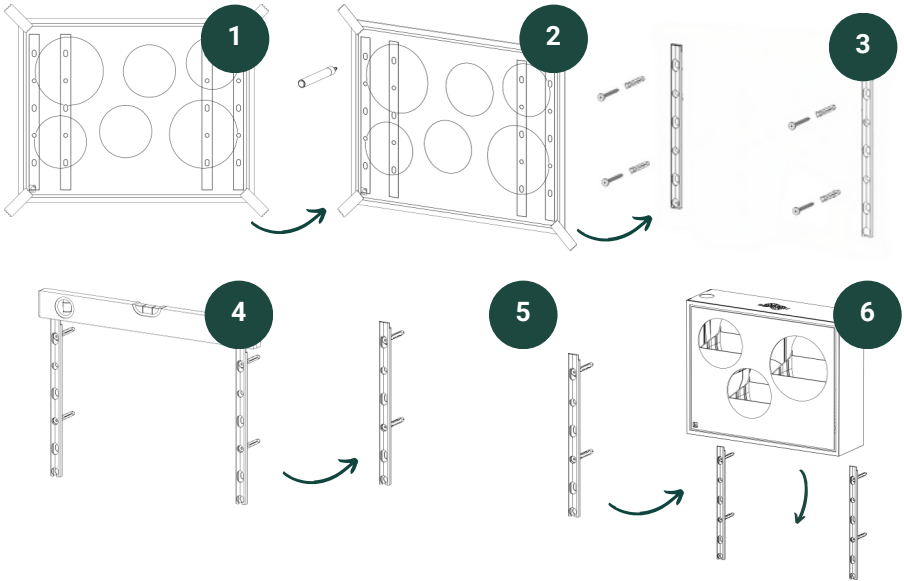
REQUIRED EQUIPMENT

For installation, you will need a drill, a spirit level and, if necessary, a helping hand. The enclosed drilling template should be used to ensure a precise fit. We recommend attaching it to the wall with adhesive tape.

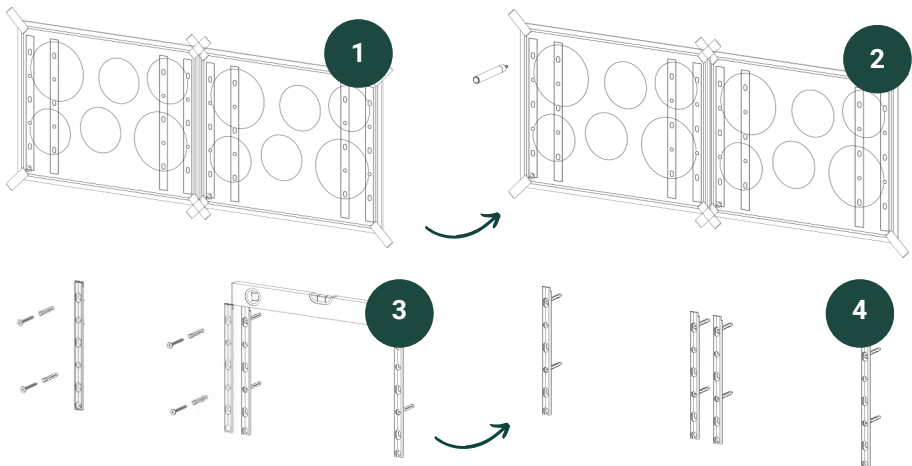
The inserted connection ring must be used if several boxes are installed on top of each other to ensure a safe water flow.

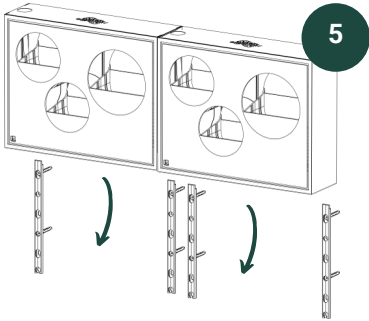
Please carry out all installation work with appropriate care and concentration. Follow the safety instructions and instructions for use.

INSTALLATION - ONE MODUL

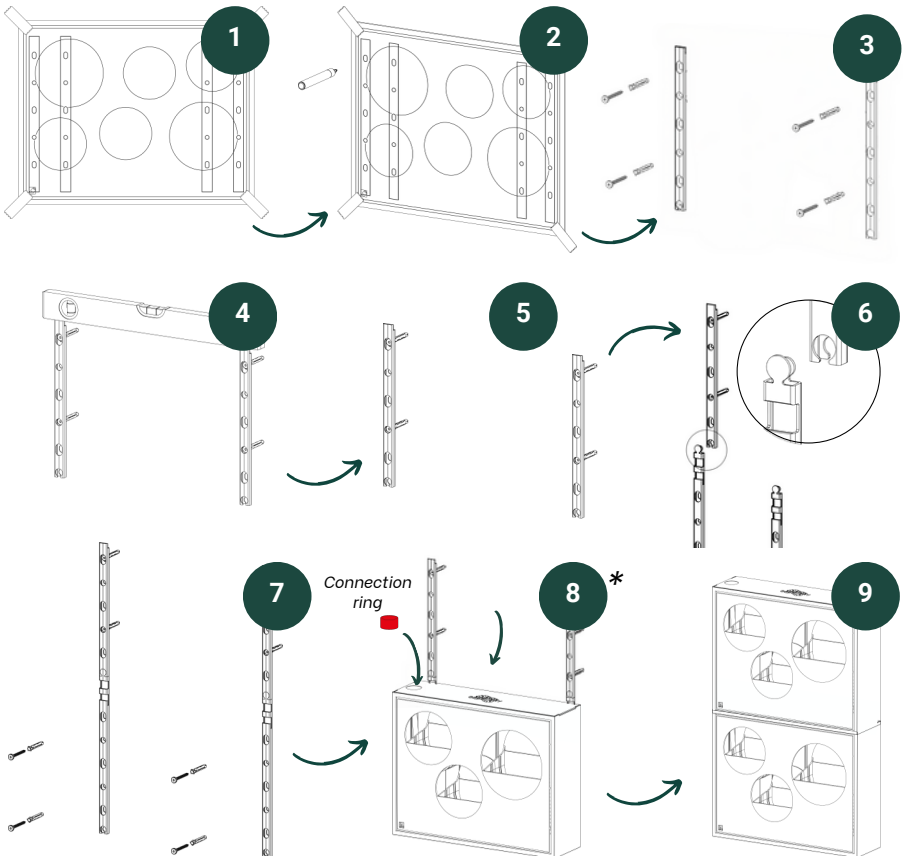


INSTALLATION - MODULES NEXT TO EACH OTHER





INSTALLATION - MODULES ONE BELOW THE OTHER



*Always insert the connection ring into the pouring opening of the lower box.


SPARE PARTS AND REPAIR

Our box has been designed to last and is made from high-quality materials. However, if something should break, you can reorder all components in our spare parts store and repair your box very easily. This is easy on your wallet and the environment. You can access our store via our website urban-greenery.de or the QR code on the lid of the box.

DISPOSAL AND RECYCLING INSTRUCTIONS

The product consists of different components for which different disposal and recycling regulations may apply.

Please contact your local authority to find out about the applicable regulations and dispose of the individual components separately.

Component	Material	Recommendations for disposal	Recycling-Code
Rails	Steel	Recycling centre/ Recycling bin	

CONTACT

Urban Greenery GmbH

Lerchenfeld 5-7
91459 Markt Erlbach

hallo@urban-greenery.de
www.urban-greenery.de

We have done our best to ensure that the instructions for use are as correct, complete and accurate as possible. Nevertheless, deviations cannot be completely ruled out, which is why we accept no liability for errors in the instructions for use provided. We accept no liability for damage caused by failure to observe the instructions for use.

The Urban Greenery team wishes you lots of
fun with your new plant wall!